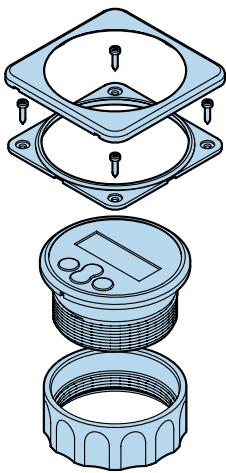


# battery monitor

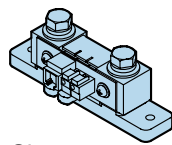
## BMV-600



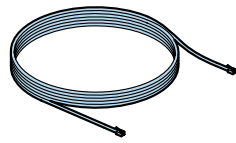
### Included



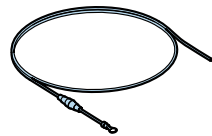
Battery monitor



Shunt



UTP cable

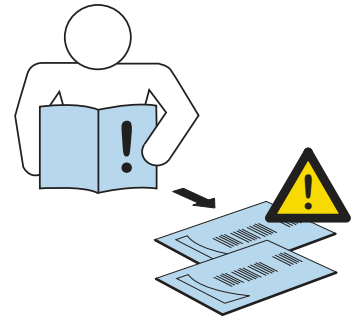


Pos. supply cable

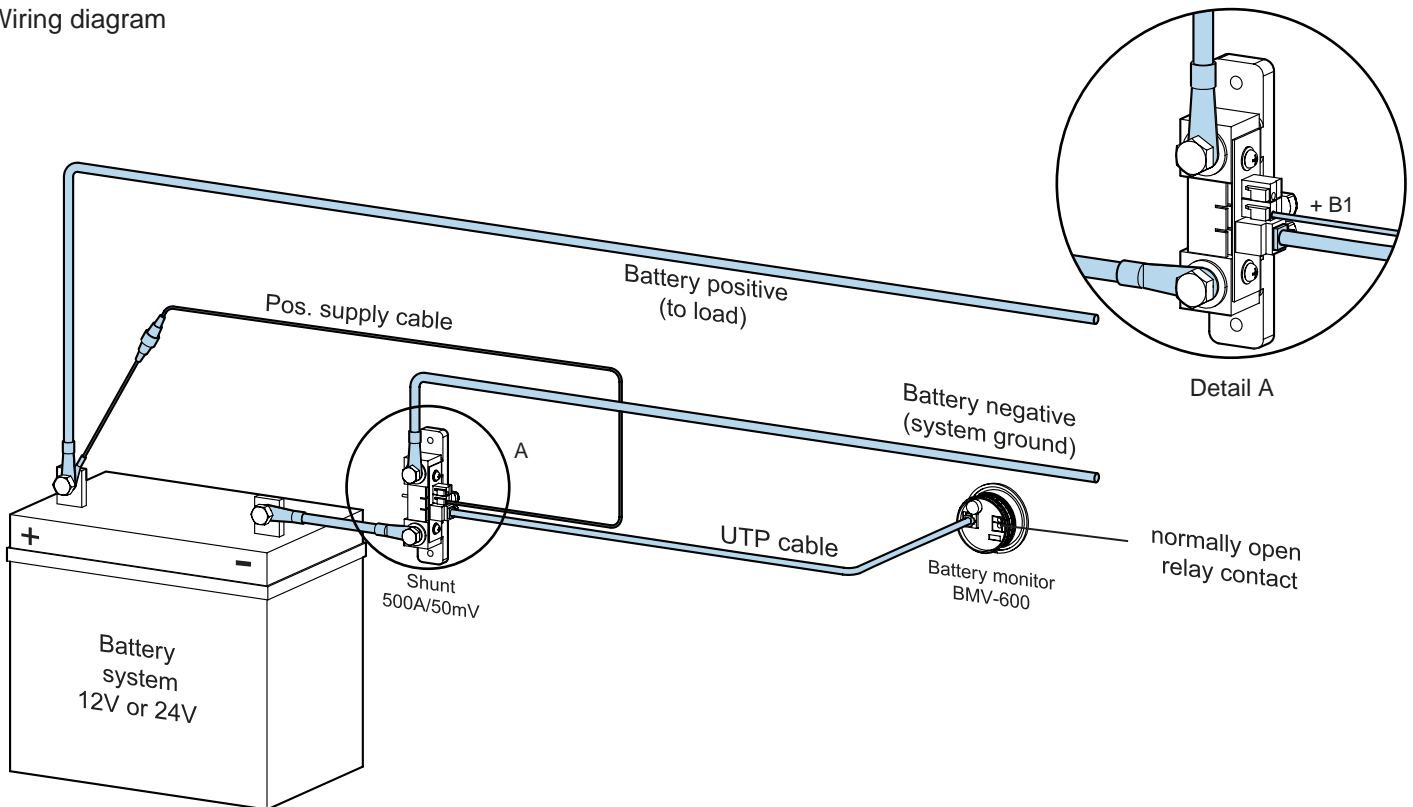
### WARNING

Please read this guide carefully to avoid wrong connections that cause battery monitor malfunction and/or fire hazards

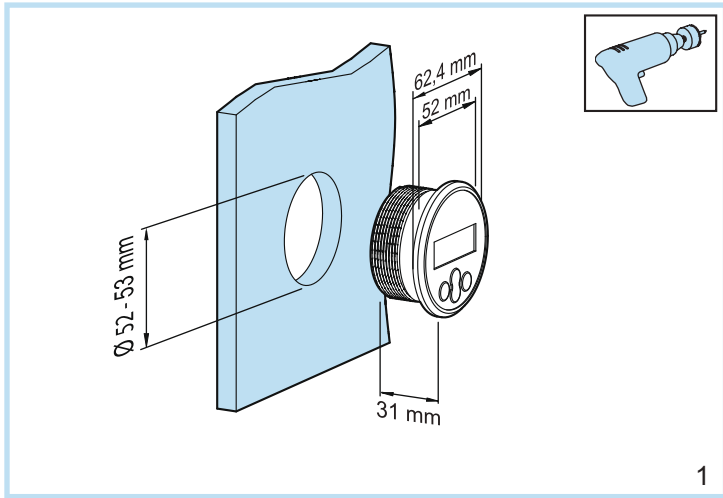
Disconnect the negative pole of the battery before installation!



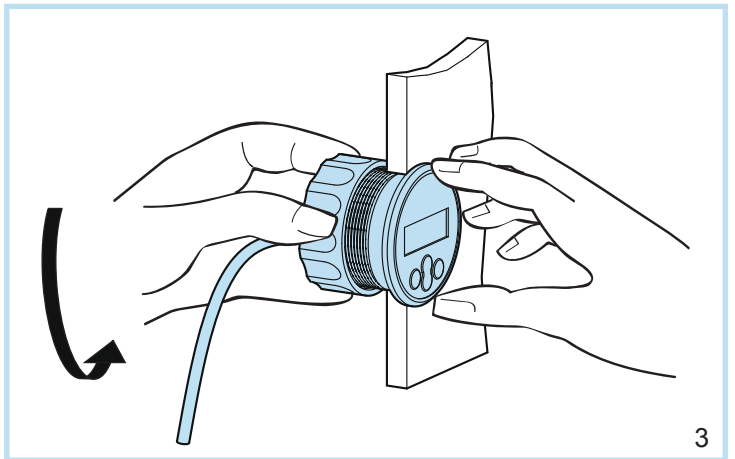
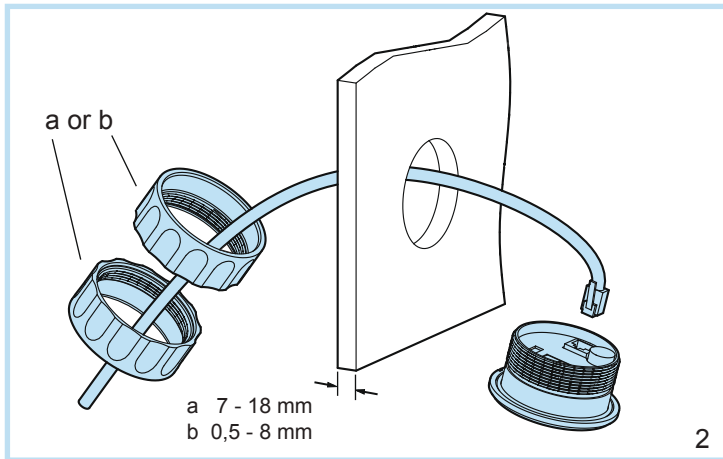
### Wiring diagram



**Connect the negative pole of the battery last !**



Method A



OR  
Method B

